

SEWAGE

Range Vortex N

Submersible
Pump for
Sewage Water

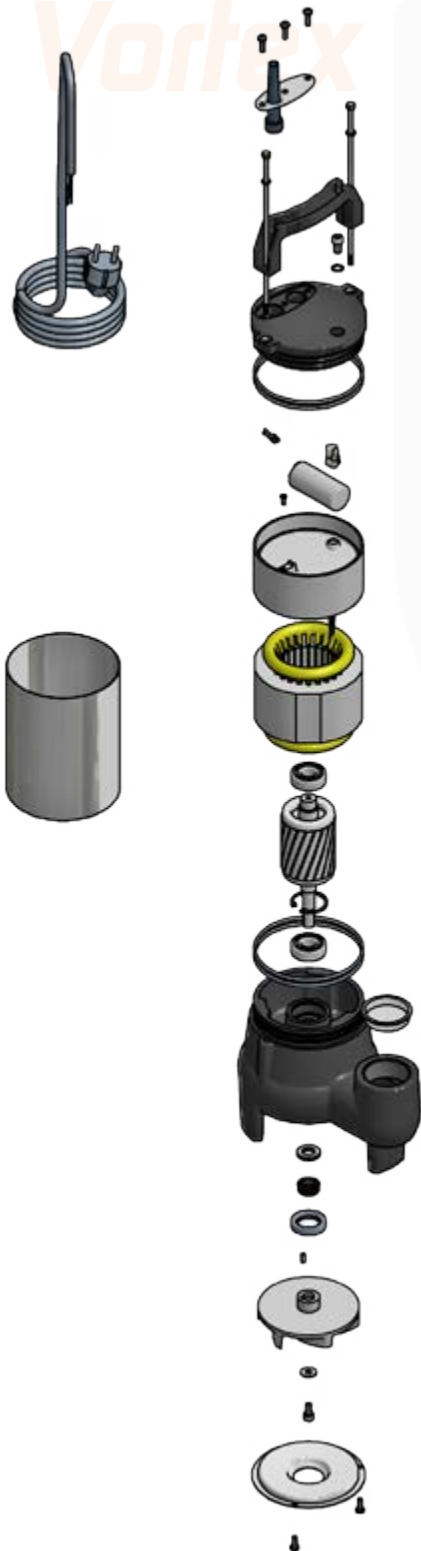
KEY ADVANTAGES OF A VORTEX PUMP:

Incolmatage : The vortex impeller creates a vortex that leads to most solids without contact with the turbine and the fibrous materials are repelled and can not hold on to the turbine.

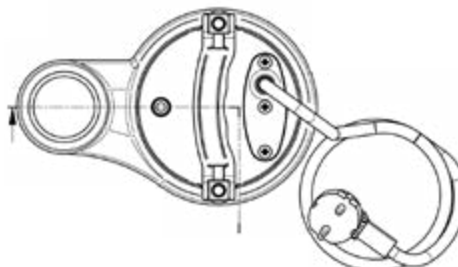
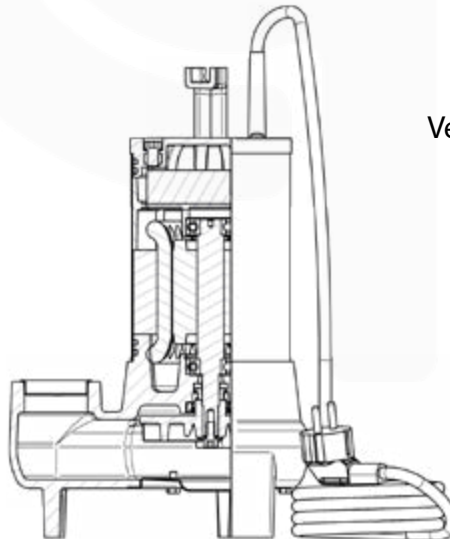
Minimum wear + consistent performance: The Vortex pump wear is very low because most of the solids pumped passes through the volute without touching the turbine. The yield remains constant over a long period.

Low maintenance + no adjustment: The position of the wheel back in the volute eliminates the risk of blockage and sudden loss of performance. No adjustment is necessary and the cost of maintenance and operation are low and constant.

■ Vortex NJ : Vertical outlet



The range **Vortex NJ** is especially designed to meet the water loaded with suspended matter, all wastewater houses (excluding WC) From 30 mm passage. Very low electrical consumption. Adapted to the sludge recirculation for microstation



USE :

Laden water with suspended solids, sludge recirculation for microstation
 All wastewater from homes, except toilets from 30 mm to pass
 Immersion depth of 10 m

FEATURES :

- Motor casing in stainless steel
- Casing pump in cast
- Impeller in cast iron, stainless steel shaft
- Engine oil bath class F, 10 m cable, built-in capacitor (to phase)
- Double seals, lip seals and reinforced carbon ceramic mechanical seal
- Single-phase models with or without float float (types A)

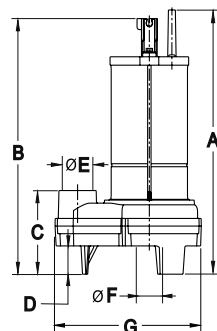
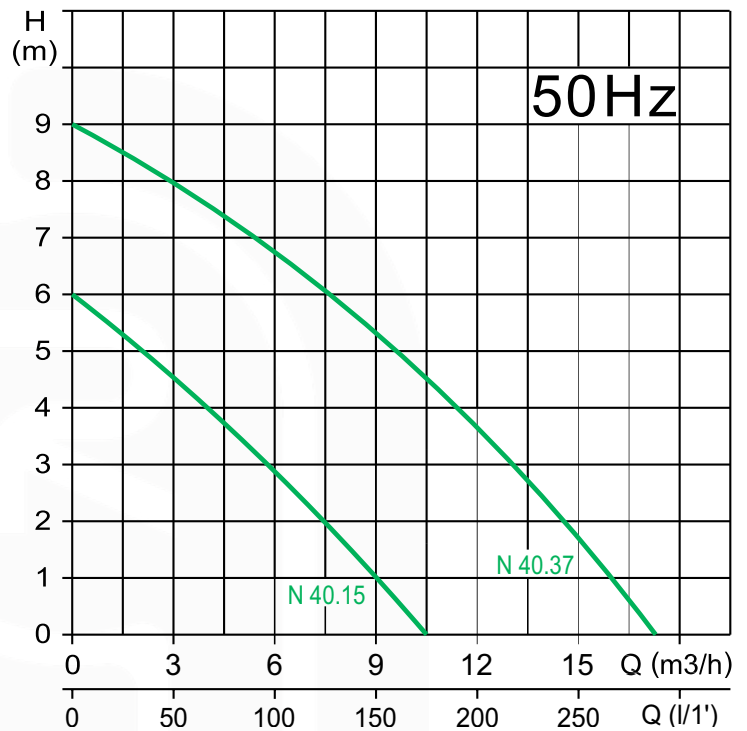


SEWAGE
Vortex N

**Submersible
 Pump for
 Sewage Water**

Vertical outlet

Vortex



Type	Dimensions (mm)							Weight Kg
	A	B	C	D	ø E	ø F (passage)	G	
N 40.15	322	311	111	35	1"½	30	213	9,8
N 40.37	347	335						10

Type	Power		Motor			Passage ø mm	Connection DN	H (max) m	Debit (max) m³/h	Code		
	kW	CV	1~ A	μF	3~ A					1x230v (.1M)	1x230v (.1A)	3x400v (.3)
N 40.15	0,15	0,2	2	12	1	30	1"½	6	9,6	01011051	01011052	01011053
N 40.37	0,37	0,5	3,4	16	1,3			9	16,7	01011027	01011028	01011029

Built-in capacitor for single-phase models - Type A: model with float switch