

SEWAGE

Range Vortex F

Submersible
Pump for
Sewage Water

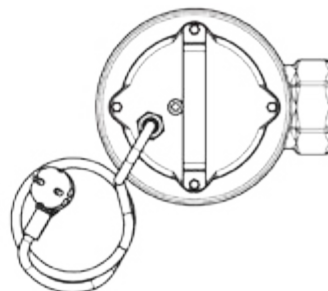
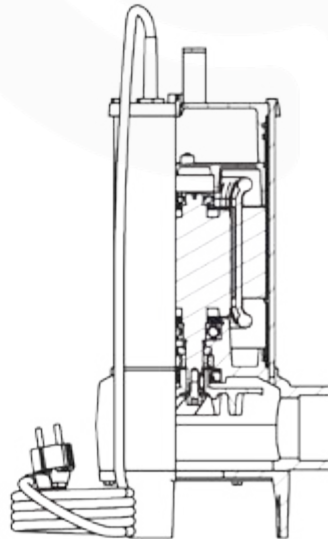
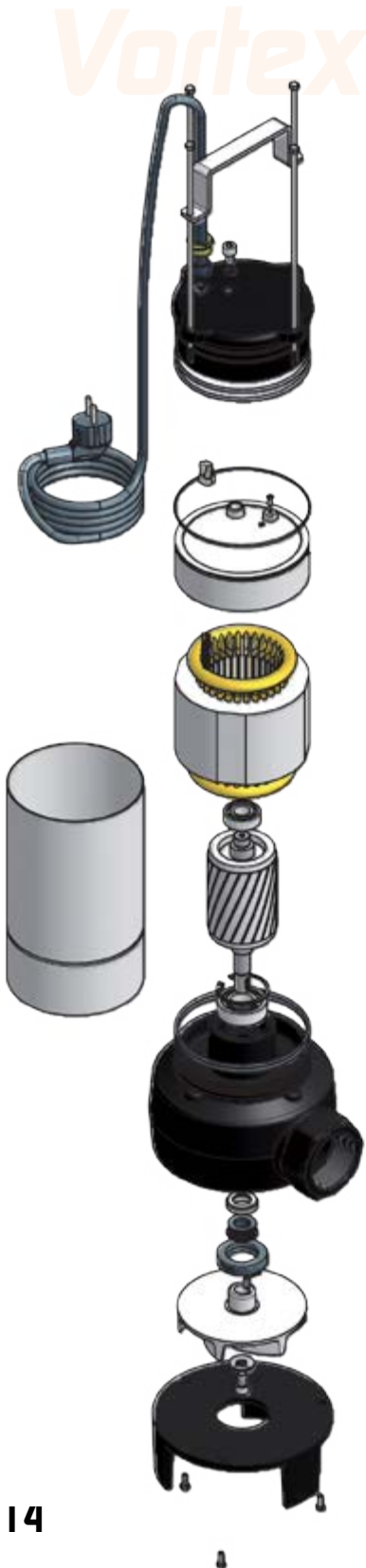
KEY ADVANTAGES OF A VORTEX PUMP:

Incolmatage : The vortex impeller creates a vortex that leads to most solids without contact with the turbine and the fibrous materials are repelled and can not hold on to the turbine.

Minimum wear + consistent performance: The Vortex pump wear is very low because most of the solids pumped passes through the volute without touching the turbine. The yield remains constant over a long period.

Low maintenance + no adjustment: The position of the wheel back in the volute eliminates the risk of blockage and sudden loss of performance. No adjustment is necessary and the cost of maintenance and operation are low and constant.

Vortex F : Horizontal outlet



The range **Vortex F** is designed for pumping of sewage with suspended solids, it is ideal for installation with guide rain.

USE :

Water loaded with suspended matter
 All wastewater from homes, including toilets from 50 mm to pass
 Front outlet is ideal for installations with guide rail
 Immersion depth of 10 m

FEATURES :

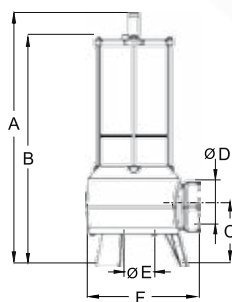
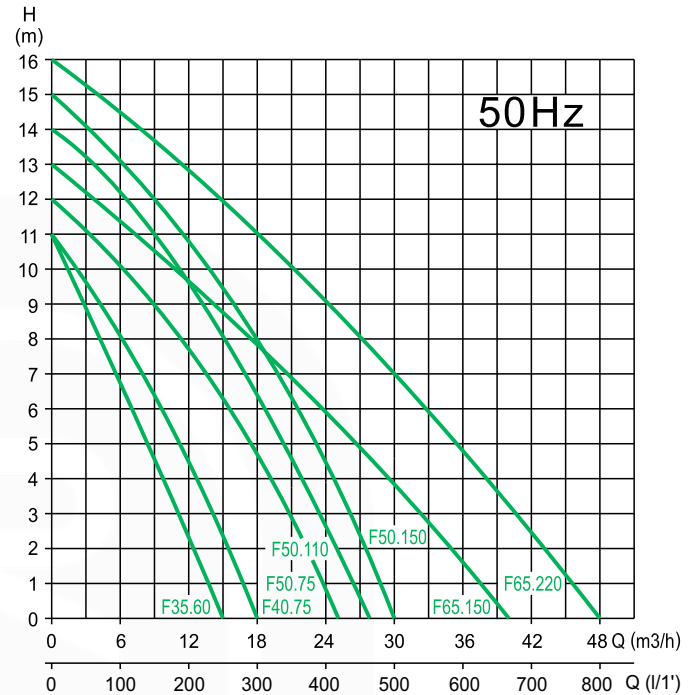
Motor casing in stainless steel
 Volute pump in cast iron, stainless steel shaft
 Engine oil bath class F, 10 m cable, built-in capacitor (to phase)
 Double seals, lip seals and reinforced carbon ceramic mechanical seal
 Single-phase models with or without float float (type A)



SEWAGE
Vortex F

**Submersible
 Pump for
 Sewage Water**

Horizontal outlet



Type	Dimensions (mm)					F	Weight Kg
	A	B	C	ø D	ø E (passage)		
F 35.60	338	288	70	1"¼	33	174	11,5
F 40.75	368	318	85	1"½	38	177	13,5
F 50.75	413	363	98	2"	50	200	15,5
F 50.110	432	383				210	20,0
F 50.150	442	393	115	2" ½	65	217	20,5
F 65.150	483	435				217	22,0
F 65.220	493	445				217	25,0

Type	Power		Motor			Passage ø mm	Connection DN	H (max) m	Debit (max) m³/h	Code		
	kW	CV	1~ A	μF	3~ A					1x230v (.1M)	1x230v (.1A)	3x400v (.3)
F 35.60	0,6	0,8	5,2	16	1,4	33	1"¼	11	15	01010916	01010917	01010918
F 40.75	0,75	1	6,4	20	2,6	38	1"½	11	18	01010896	01010897	01010898
F 50.75			7,7	20	2,8					01010899	01010900	01010901
F 50.110	1,1	1,5	8,9	35	3,0	50	2"	14	27,5	01010902	01010903	01010904
F 50.150	1,5	2	9,8	35	3,7					15	30	01010905
F 65.150			11,3	40	4,8	65	2" ½	13	41	01010908	01010909	01010910
F 65.220	2,2	3	-	-	6,1					16	48	---

Power cable: 10 m neoprene - Type A: model with float switch